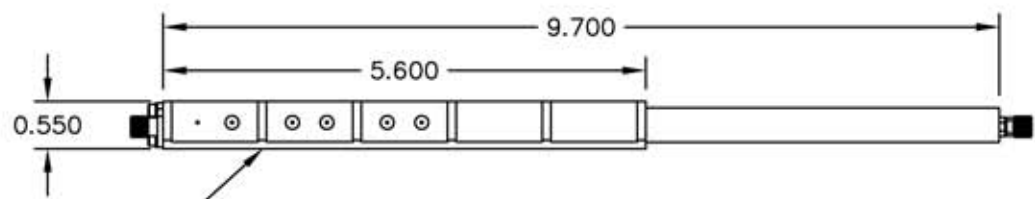
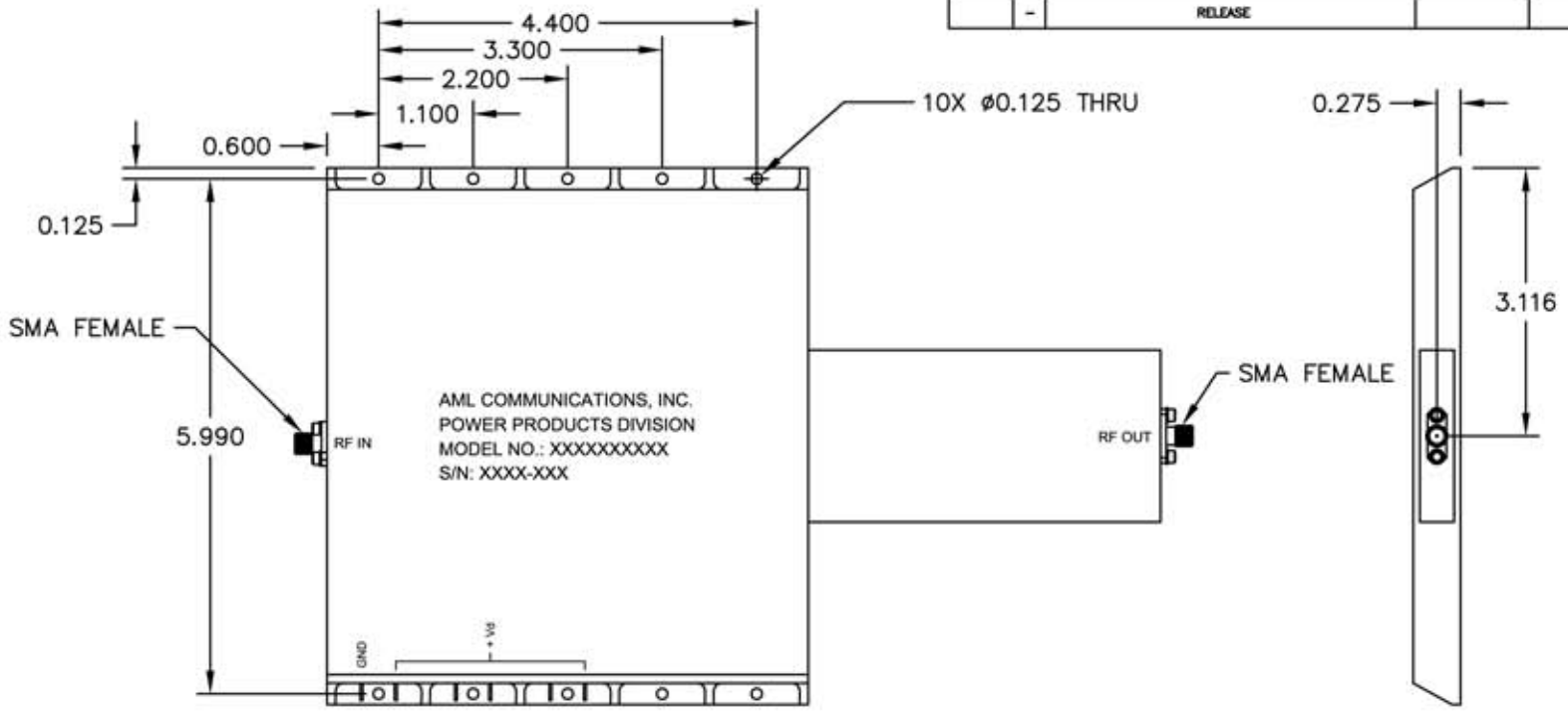
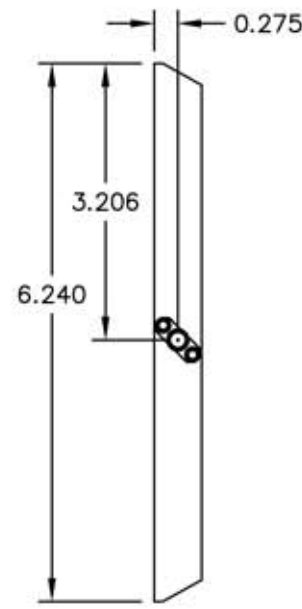


This Document is the property of AML Communications, Inc. The information contained in this Document shall not be reproduced, copied, released or made available to any third parties without prior written authorization. Using information contained in this Document for manufacture or sale of products without prior written authorization is strictly prohibited.

		REVISIONS		
ECD#	REV	DESCRIPTION	DATE	APPROVED
	-	RELEASE		



MOUNTING SURFACE

UNLESS OTHERWISE SPECIFIED DIMENSIONS ARE IN INCHES TOLERANCES AND ANGLES DECIMALS .XX # 0.02 XX # 0.05 XX # 0.20	THIRD ANGLE PROJECTION	DESIGNED BY	SH
		APPROVED	DATE
MATERIAL		ENGR	
ALUM ALLOY, 6061-T6		ENGR	
FINISH		MFG ENGR	
NICKEL PLATE		QA	
DO NOT SCALE DRAWING		RELEASED BY:	

TITLE:		OUTLINE, 834-9 CATALOG	
SCALE: NTS	DATE: 3/19/2010		
GENERAL FABRICATION NOTES: (UNLESS OTHERWISE SPECIFIED) 1. REMOVE ALL BURRS AND BREAK SHARP EDGES .005 MAX. 2. DIMENSION(S) APPLY AFTER FINISH. 3. $\sqrt{32}$ MAX. MACHINE FINISH. 4. INTERPRET DRAWING PER ANSI/ASME Y14.5M-1994			

CAMARILLO, CALIFORNIA, USA	
BOM NUMBER	
SHEET NUMBER	SIZE
1 OF 1	B
DRAWING NUMBER	REV
002-0541	-