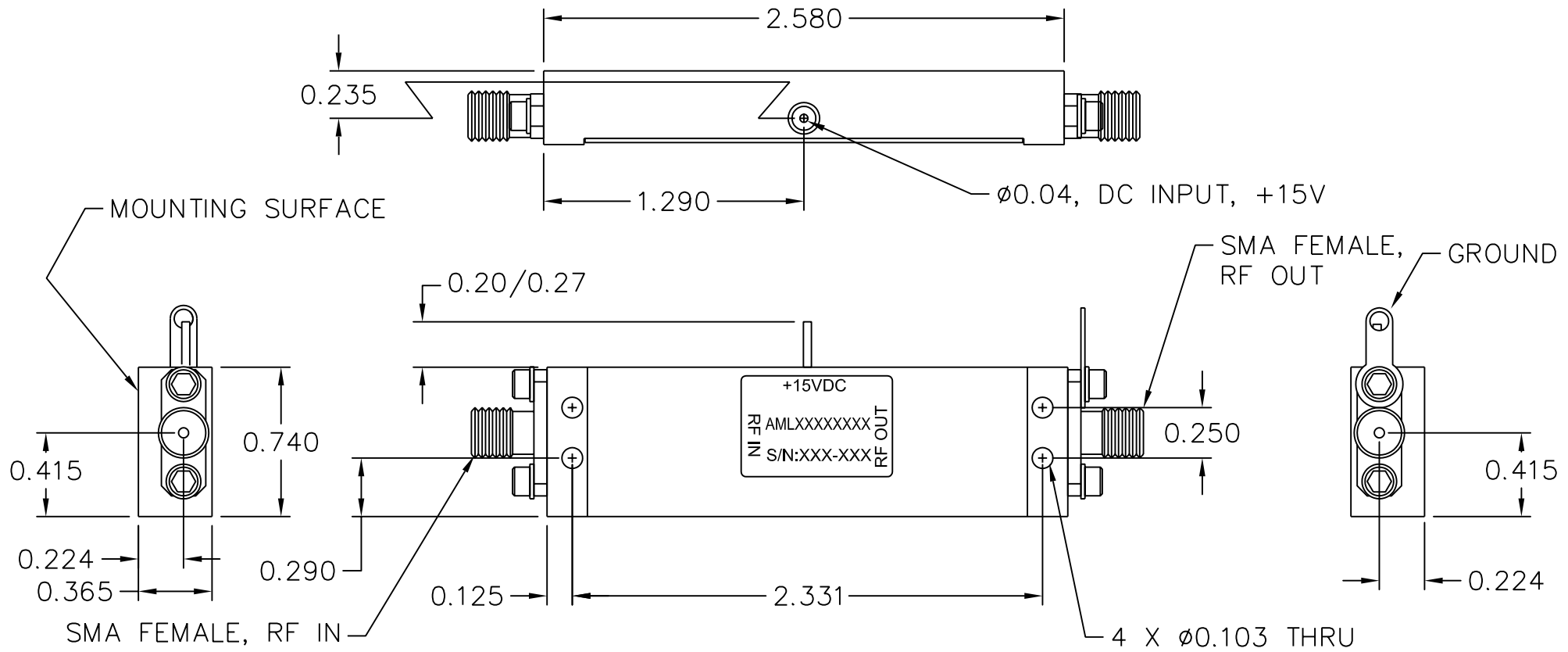



REVISIONS				
ECD#	REV	DESCRIPTION	DATE	APPROVED
	-	PRODUCTION RELEASE	11/15/06	M. CALAYAN



- NOTES:
- CLEAR COAT PER 900-0067 OR PRIME AND PAINT COVER AND WELD SURFACE PER MIL-PRF-22750F, GREY. DO NOT PAINT MOUNTING SURFACE, RF CONNECTORS AND DC TERMINALS.
  - MARK LABEL (003-0231) AS SHOWN.
  - MARK SERIAL NUMBER AND DATE CODE AS PER TRAVELER.
  - THIS IS A STATIC SENSITIVE DEVICE. HANDLE ACCORDINGLY.

UNLESS OTHERWISE SPECIFIED DIMENSIONS ARE IN INCHES TOLERANCES ARE: DECIMALS ANGLES .XX ± 0.01 ± 5° .XXX ± .005	THIRD ANGLE PROJECTION	DRAWN BY JH	CHECK BY SH	TITLE: OUTLINE, 6-18 GHz CATALOG, 8 STAGE (K8) HERMETIC		 CAMARILLO, CALIFORNIA, USA	
		DESIGNED BY CW	DATE	SCALE: NTS	DATE: 11/13/06		BOM NUMBER
MATERIAL: ALUM ALLOY 6061	ENGR	ENGR	DATE	GENERAL FABRICATION NOTES: (UNLESS OTHERWISE NOTED) 1. REMOVE ALL BURRS AND BREAK SHARP EDGES. 2. DIMENSIONS APPLY AFTER FINISH. 3. ALL BENDS TO BE 90°. 4. 63 MAX. MACHINE FINISH.		SHEET NUMBER: 1 OF 1	SIZE: B
FINISH: ELECTROLESS Ni MIL-C-26074C 0.0003/0.0005 THICK	MFG ENGR	DA	DATE	GENERAL ASSEMBLY NOTES: (UNLESS OTHERWISE NOTED) 1. ASSEMBLE AS PER WORKMANSHIP REQUIREMENTS OF IPC-A-610, CLASS 2		DRAWING NUMBER: 002-0636	REV: -
DO NOT SCALE DRAWING	RELEASED BY:						