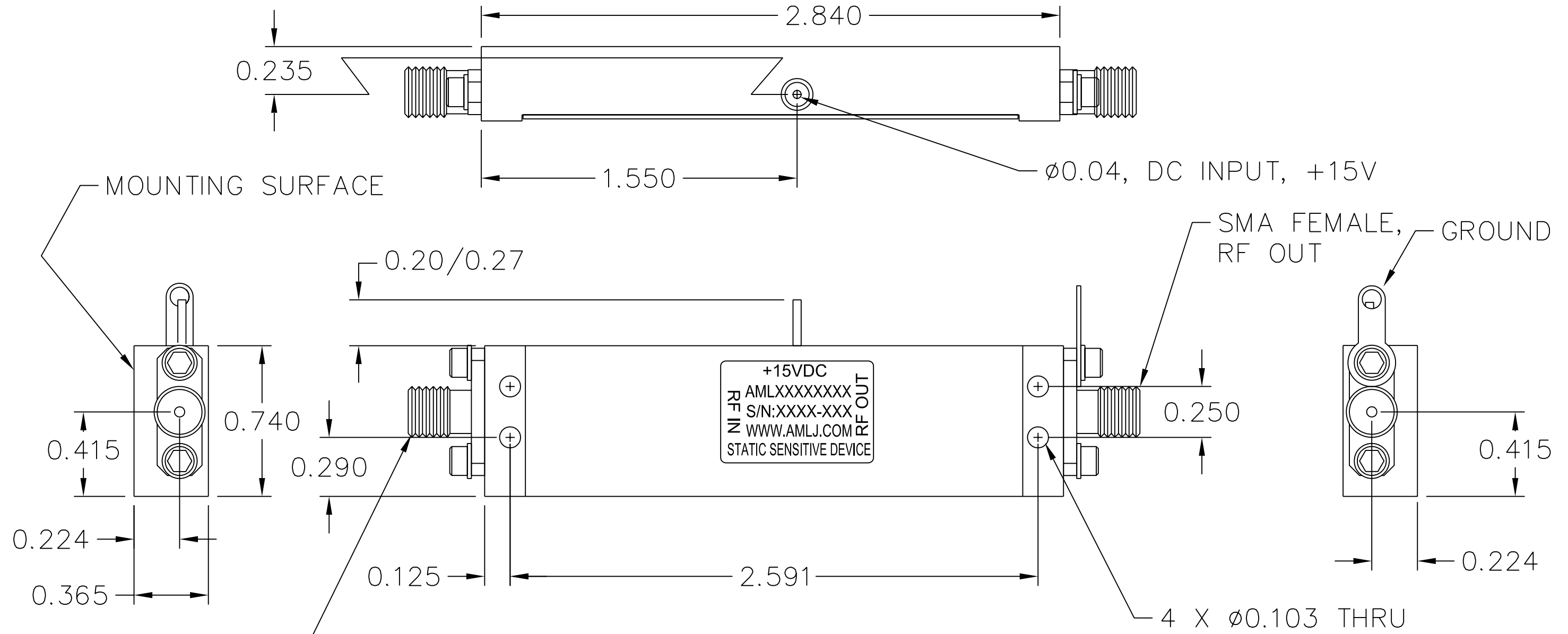


This Document is the property of AML Communications, Inc. The information contained in this Document shall not be reproduced, copied, released or made available to any third parties without prior written authorization. Utilizing information contained in this Document for manufacture or sale of products without prior written authorization is strictly prohibited.

REVISIONS				
ECO#	REV	DESCRIPTION	DATE	APPROVED
	-	RELEASE	3/25/05	M. CALAYAN
12127	A	SEE ECO, DRAWING WAS INCOMPLETE	11/15/06	M. CALAYAN



SMA FEMALE, RF IN

NOTES:

1. PAINT GREY PER MIL-PRF-22750, OR OPTIONAL FINISH, CLEAR COAT PER 900-0067. DO NOT PAINT MOUNTING SURFACE OR CONNECTORS.
2. MARK LABEL (003-0231) AS SHOWN. MARK SERIAL NUMBER, DATE CODE AND MODEL NUMBER AS PER TRAVELER.

UNLESS OTHERWISE SPECIFIED DIMENSIONS ARE IN INCHES TOLERANCES ARE: DECIMALS .XX ± 0.01 ANGLES ± 5° .XXX ± 0.005	 THIRD ANGLE PROJECTION	DRAWN BY JH CHECK BY SH	TITLE: OUTLINE, 6-18 GHz CATALOG, 9 STAGE (K9)	 CAMARILLO, CALIFORNIA, USA
		DESIGNED BY JH		
MATERIAL ALUM ALLOY 6061	ENGR	APPROVED DATE	SCALE: 2X DATE: 3/22/05	SHEET NUMBER 1 OF 1 SIZE B
FINISH ELECTROLESS Ni MIL-C-26074C 0.0003/0.0005 THICK	MFG ENGR QA	RELEASED BY:	GENERAL FABRICATION NOTES: (UNLESS OTHERWISE NOTED) 1. REMOVE ALL BURRS AND BREAK SHARP EDGES. 2. DIMENSION(S) APPLY AFTER FINISH. 3. ALL BENDS TO BE 90°. 4. 63 MAX. MACHINE FINISH.	DRAWING NUMBER 002-0512 REV A
DO NOT SCALE DRAWING	GENERAL ASSEMBLY NOTES: (UNLESS OTHERWISE NOTED) 1. ASSEMBLE AS PER WORKMANSHIP REQUIREMENTS OF IPC-A-610, CLASS 2			