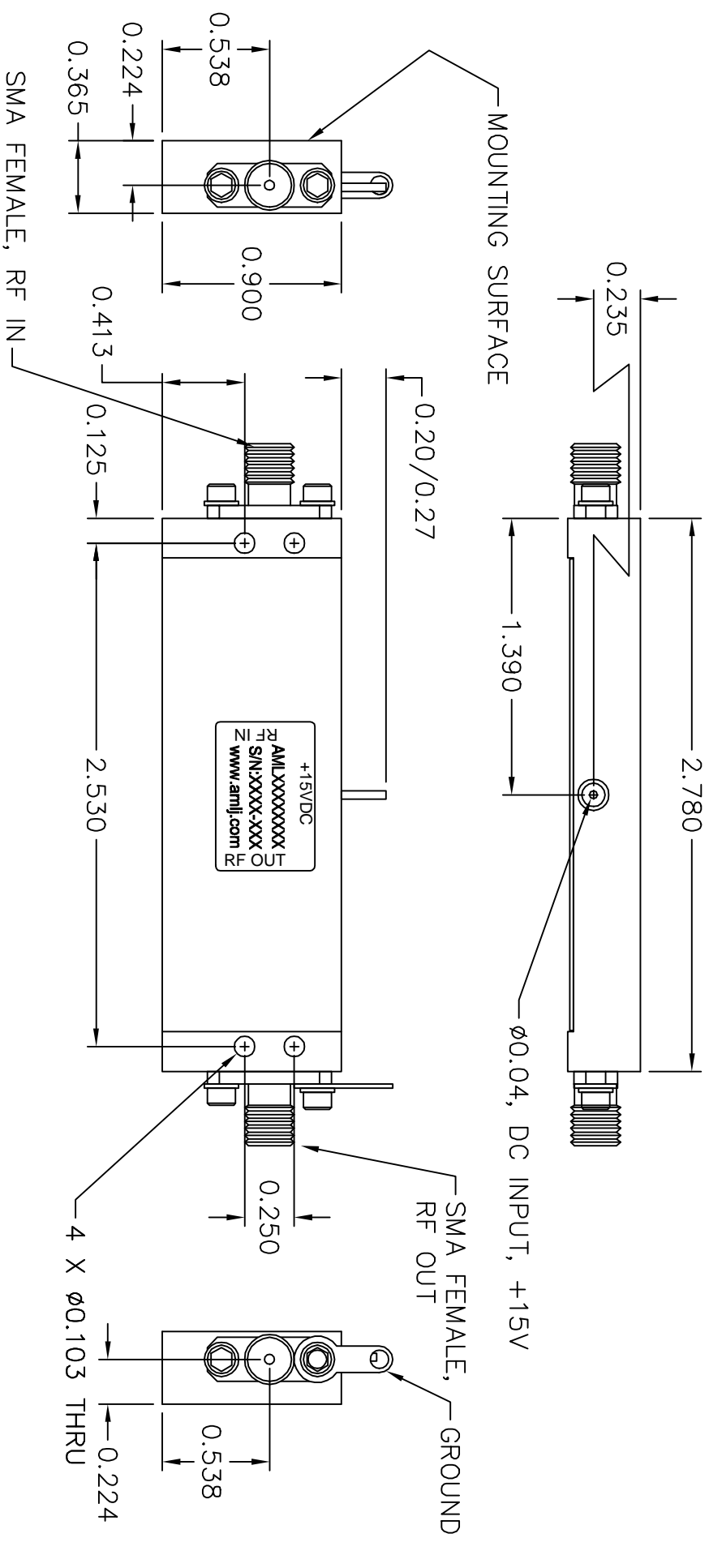


REVISIONS				
ECOH	REV	DESCRIPTION	DATE	APPROVED
	2	UPDATED NOTES	8/30/01	SL



NOTES:  
 1. MARK LABEL (003-0231) AS SHOWN. MARK SERIAL NUMBER, DATE CODE AND MODEL NUMBER AS PER TRAVELER.

UNLESS OTHERWISE SPECIFIED DIMENSIONS ARE IN INCHES TOLERANCES PER DECIMALS .XX ± .01 .XXX ± .005		DRAWN BY SH		CHECK BY SH		TITLE	
HARD ANGLE PRODUCTION		DESIGNED BY SH		DATE		DUTLINE CATALOG (LS)	
MATERIAL: ALUM ALDLY 6061		ENGR		ENGR		SCALE: 2X	
FINISH: ELECTROLESS NI MIL-C-26174C 0.0003/0.0005 THICK		APPROVED		DATE: 10/9/00		DATE: 10/9/00	
DD NIT SCALE DRAWING		RELEASED BY:		GENERAL FABRICATION NOTES: UNLESS OTHERWISE NOTED		SHEET NUMBER: 1 OF 1	
				1. REMOVE ALL BURRS AND BREAK SHARP EDGES.		SIZE: B	
				2. DIMENSIONS PER V AFTER FINISH.		DRAWING NUMBER: 002-0096	
				4. 63° MAX. MACHINE FINISH.		REV: 2	
				1. GENERAL ASSEMBLY NOTES: (UNLESS OTHERWISE NOTED) ASSEMBLE AS PER WORKMANSHIP REQUIREMENTS OF IPC-A-610, CLASS 2			