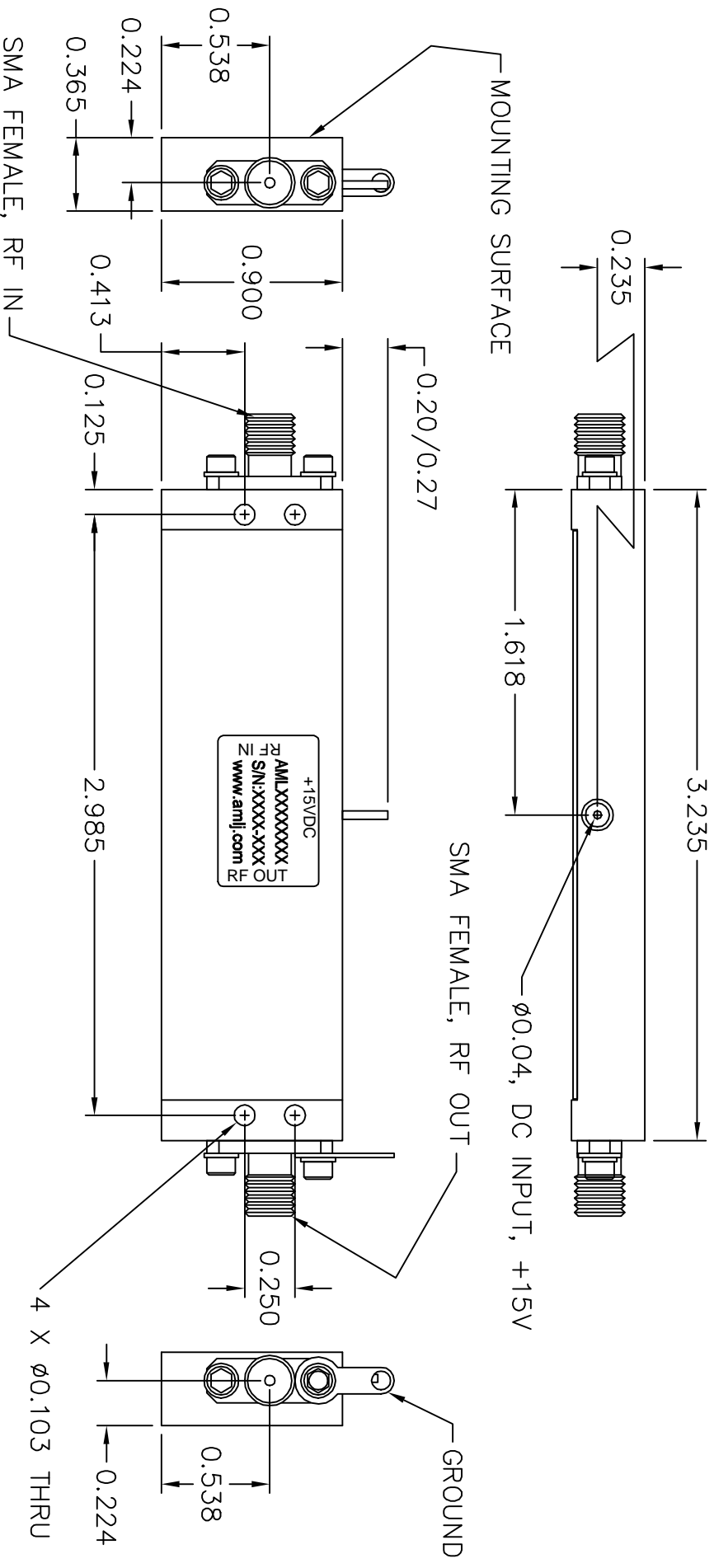


REVISIONS				
ECR#	REV	DESCRIPTION	DATE	APPROVED
	2	UPDATED NOTES	8/30/01	SL



NOTES:
 1. MARK LABEL (003-0231) AS SHOWN. MARK SERIAL NUMBER, DATE CODE AND MODEL NUMBER AS PER TRAVELER.

UNLESS OTHERWISE SPECIFIED DIMENSIONS ARE IN INCHES TOLERANCES ARE: DECIMALS 0.01 ANGLES 1/2° MIN. & 90°		DRAWN BY SH		CHECK BY SH	
MATERIAL: ALUM ALLOY 6061		DESIGNED BY SH		DATE	
FINISH: ELECTROLESS NI MI-C-26074C 0.0003/0.0005 THICK		APPROVED		ENGR	
DDI NOT SCALE DRAWING		RELEASED BY:		HFG ENGR	
TITLE: DUTLINE CATALOG (L6)		DATE: 10/9/00		SCALE: 2X	
GENERAL FABRICATION NOTES: (UNLESS OTHERWISE NOTED) 1. DIMENSIONS APPLY AND BREAK SHARP EDGES. 2. ALL BENDS TO BE 90°. 3. MAX. MACHINE FINISH. 4. ASSEMBLE AS PER WORKMANSHIP REQUIREMENTS OF IPC-A-610, CLASS 2		BOM NUMBER		SHEET NUMBER	
CAMARILLLO CALIFORNIA, USA		DRAWING NUMBER		1 OF 1	
002-0087		SIZE		B	
REV 2		REV		2	