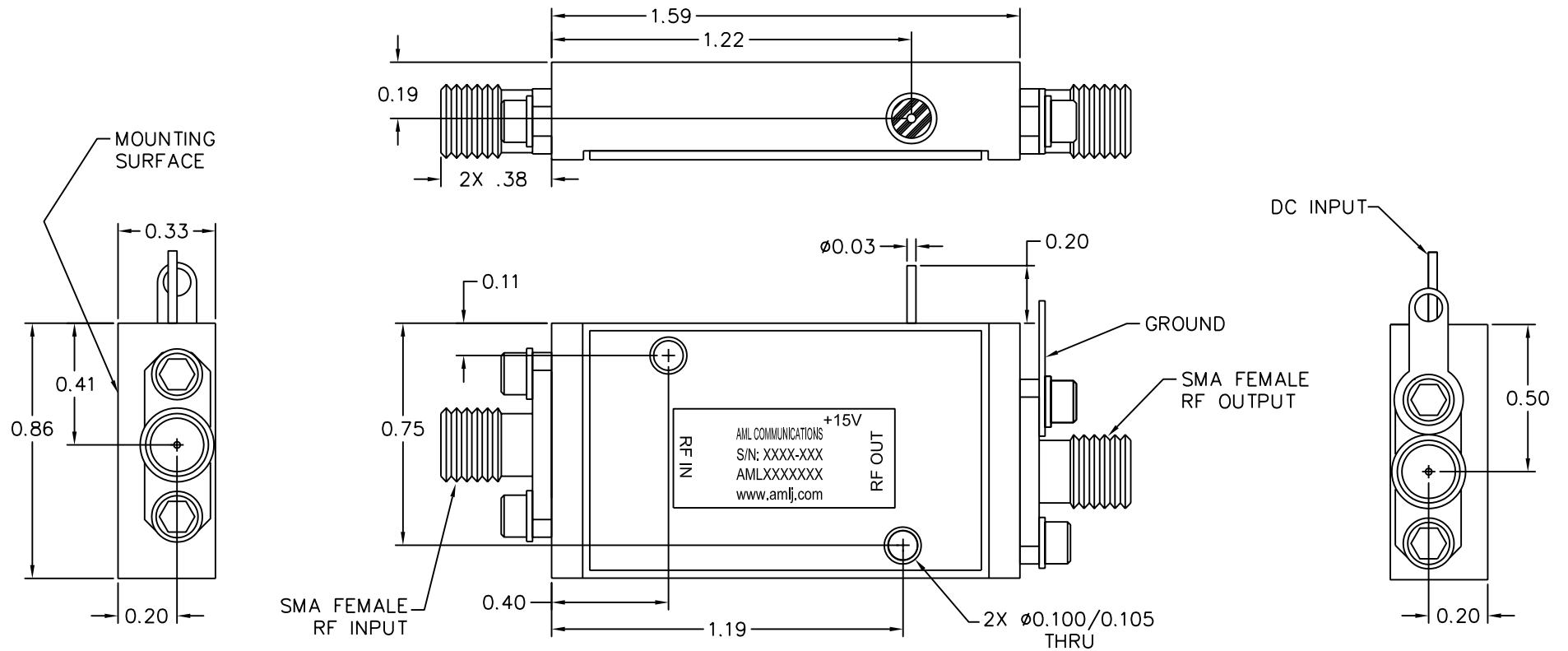


This Document is the property of AML Communications, Inc. The information contained in this Document shall not be reproduced, copied, released or made available to any third parties without prior written authorization. Utilizing information contained in this Document for manufacture or sale of products without prior written authorization is strictly prohibited.

REVISIONS				
ECD#	REV	DESCRIPTION	DATE	APPROVED
	-	RELEASE	9/12/05	M. CALAYAN



NOTES:

- MARK LABEL (003-0231) AS SHOWN. MARK SERIAL NUMBER AND DATE CODE AS PER TRAVELER. TRIM LABEL TO FIT.

UNLESS OTHERWISE SPECIFIED DIMENSIONS ARE IN INCHES TOLERANCES ARE: DECIMALS .XX ± 0.02 .XXX ± 0.010	THIRD ANGLE PROJECTION	DRAWN BY OM	CHECK BY SH	TITLE: OUTLINE, SC3 CATALOG		 CAMARILLO, CALIFORNIA, USA BOM NUMBER	
		DESIGNED BY TM	DATE				SCALE: NTS
MATERIAL KOVAR	ENGR	APPROVED		GENERAL FABRICATION NOTES: (UNLESS OTHERWISE NOTED) 1. REMOVE ALL BURRS AND BREAK SHARP EDGES. 2. DIMENSION(S) APPLY AFTER FINISH. 3. ALL BENDS TO BE 90°.		SHEET NUMBER 1 OF 1	SIZE B
FINISH NICKEL PLATE PER, MIL-C-26074	ENGR	MFG ENGR	QA			DRAWING NUMBER 002-0315	REV -
DO NOT SCALE DRAWING	RELEASED BY:			4. MAX. MACHINE FINISH.			