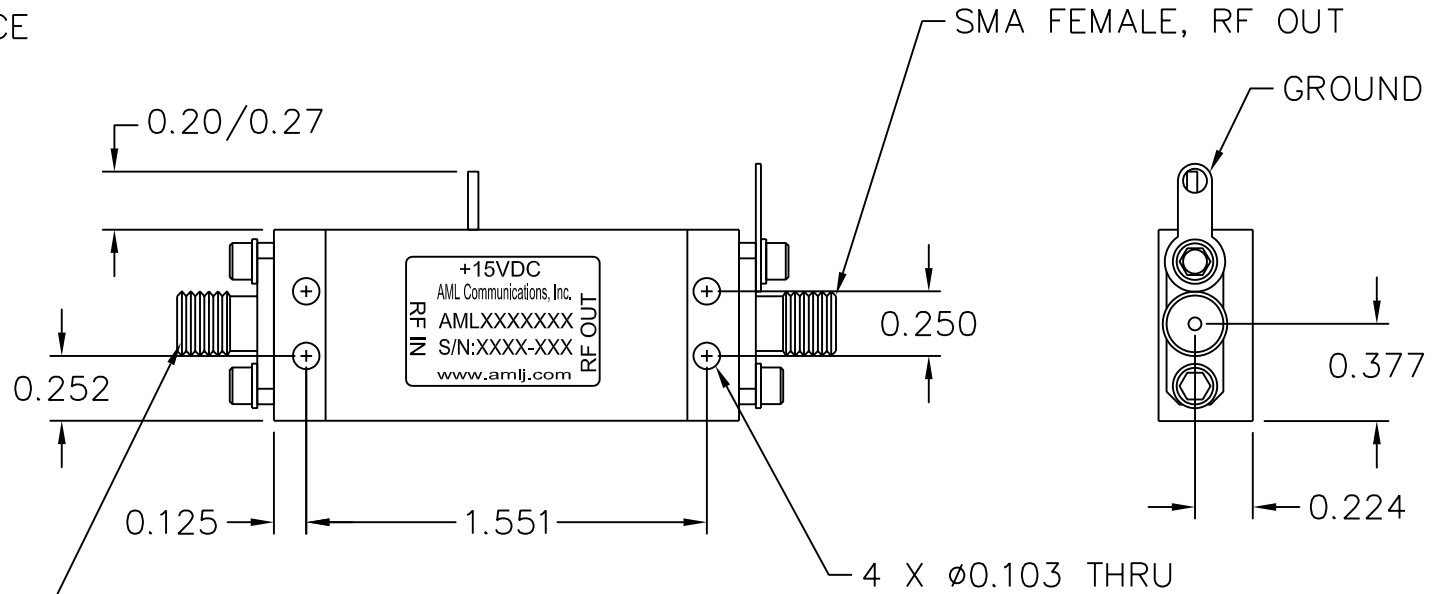
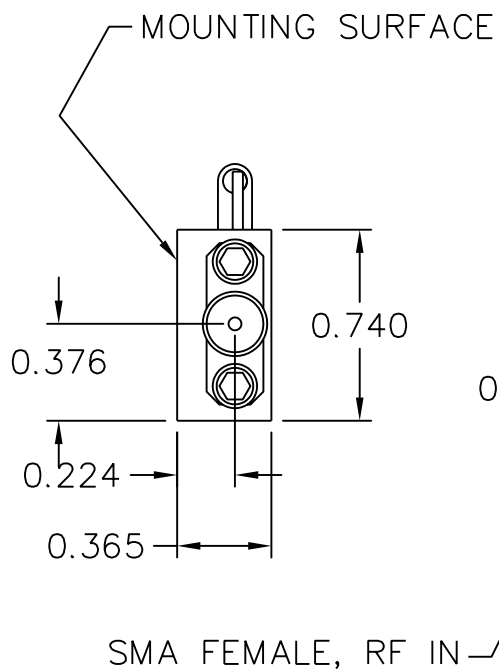
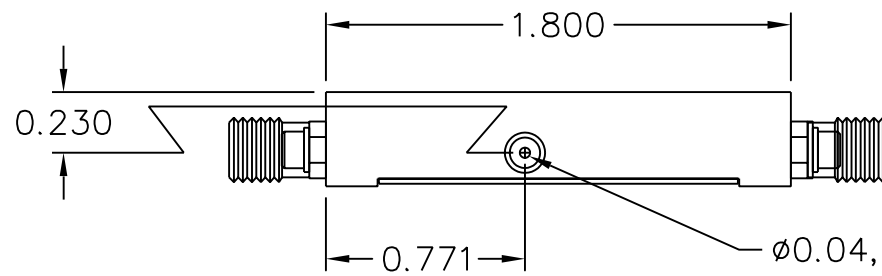


REVISIONS				
ECD#	REV	DESCRIPTION	DATE	APPROVED
	1	ENGINEERING RELEASE	12/16/02	M. CALAYAN



NOTES:
 1. MARK LABEL (003-0231) AS SHOWN. MARK SERIAL NUMBER, DATE CODE AND MODEL NUMBER AS PER TRAVELER.

<small>UNLESS OTHERWISE SPECIFIED DIMENSIONS ARE IN INCHES TOLERANCES ARE:</small> DECIMALS ANGLES .XX ± 0.01 ± 5° .XXX ± .005	 <small>THIRD ANGLE PROJECTION</small>	DRAWN BY TA CHECK BY SH	TITLE: OUTLINE, K-BAND HERMETIC, 5 STAGE CATALOG	 <small>CAMARILLO, CALIFORNIA, USA</small>	
		DESIGNED BY SH			DATE: 12/13/02
MATERIAL ALUM ALLOY 6061	ENGR	APPROVED	SCALE: 2X	BOM NUMBER	
FINISH ELECTROLESS Ni MIL-C-26074C 0.0003/0.0005 THICK	MFG ENGR QA	RELEASED BY:	GENERAL FABRICATION NOTES: (UNLESS OTHERWISE NOTED) 1. REMOVE ALL BURRS AND BREAK SHARP EDGES. 2. DIMENSIONS APPLY AFTER FINISH. 3. ALL BENDS TO BE 90°. 4. 63° MAX. MACHINE FINISH.	SHEET NUMBER 1 OF 1	SIZE B
DO NOT SCALE DRAWING			GENERAL ASSEMBLY NOTES: (UNLESS OTHERWISE NOTED) 1. ASSEMBLE AS PER WORKMANSHIP REQUIREMENTS OF IPC-A-610, CLASS 2	DRAWING NUMBER 002-0250	REV 1