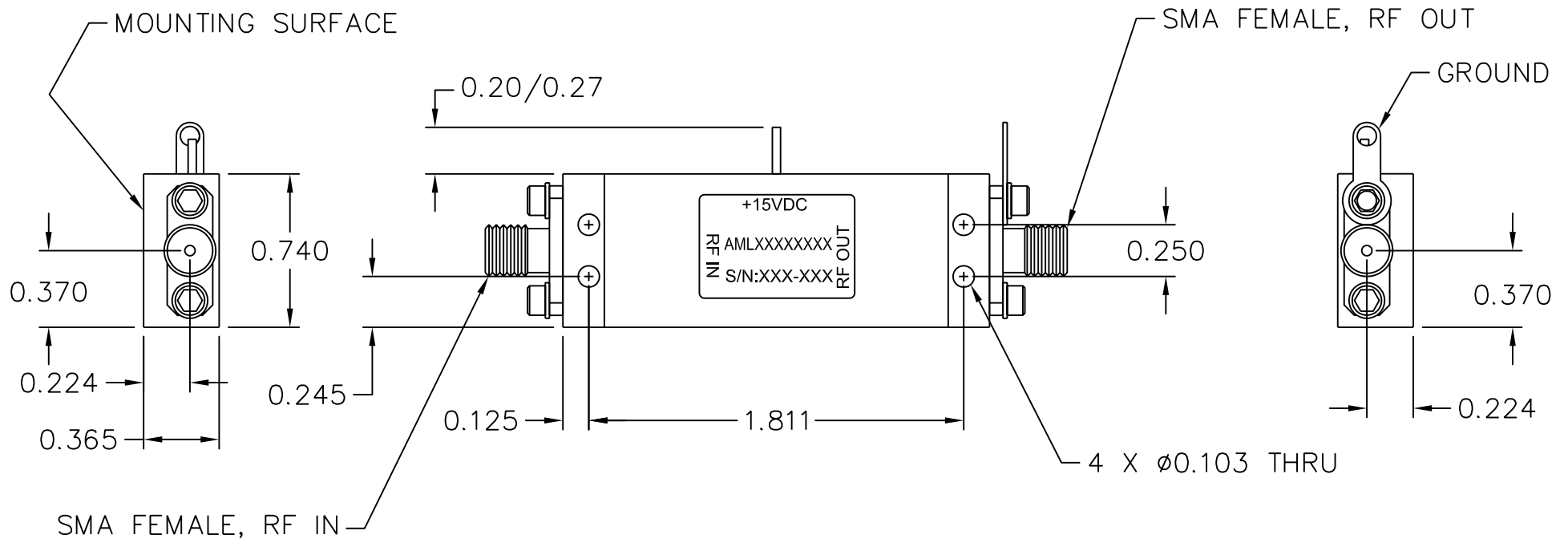


REVISIONS				
ECD#	REV	DESCRIPTION	DATE	APPROVED
	-	PRODUCTION RELEASE	8/06/03	M. CALAYAN



NOTES:

1. MARK LABEL (003-0231) AS SHOWN. MARK SERIAL NUMBER, DATE CODE AND MODEL NUMBER AS PER TRAVELER.

UNLESS OTHERWISE SPECIFIED DIMENSIONS ARE IN INCHES TOLERANCES ARE: DECIMALS ANGLES .XX ± 0.01 ± 5° .XXX ± .005	 THIRD ANGLE PROJECTION	DRAWN BY SH	CHECK BY SH	TITLE: OUTLINE CATALOG MODIFIED K6	 CAMARILLO, CALIFORNIA, USA
		DESIGNED BY SH	APPROVED		
MATERIAL	ENGR	SCALE: 2X		DATE: 8/4/03	BOM NUMBER
ALUM ALLOY 6061	ENGR	GENERAL FABRICATION NOTES: (UNLESS OTHERWISE NOTED)		SHEET NUMBER	
FINISH	MFG ENGR	1. REMOVE ALL BURRS AND BREAK SHARP EDGES.		1 OF 1	
ELECTROLESS Ni	QA	2. DIMENSIONS APPLY AFTER FINISH.		DRAWING NUMBER	
MIL-C-26074C	RELEASED BY:	3. ALL BENDS TO BE 90°.		002-0314	
0.0003/0.0005 THICK		4. 63 MAX. MACHINE FINISH.		REV	
DO NOT SCALE DRAWING		GENERAL ASSEMBLY NOTES: (UNLESS OTHERWISE NOTED)		-	
		1. ASSEMBLE AS PER WORKMANSHIP REQUIREMENTS OF IPC-A-610, CLASS 2			