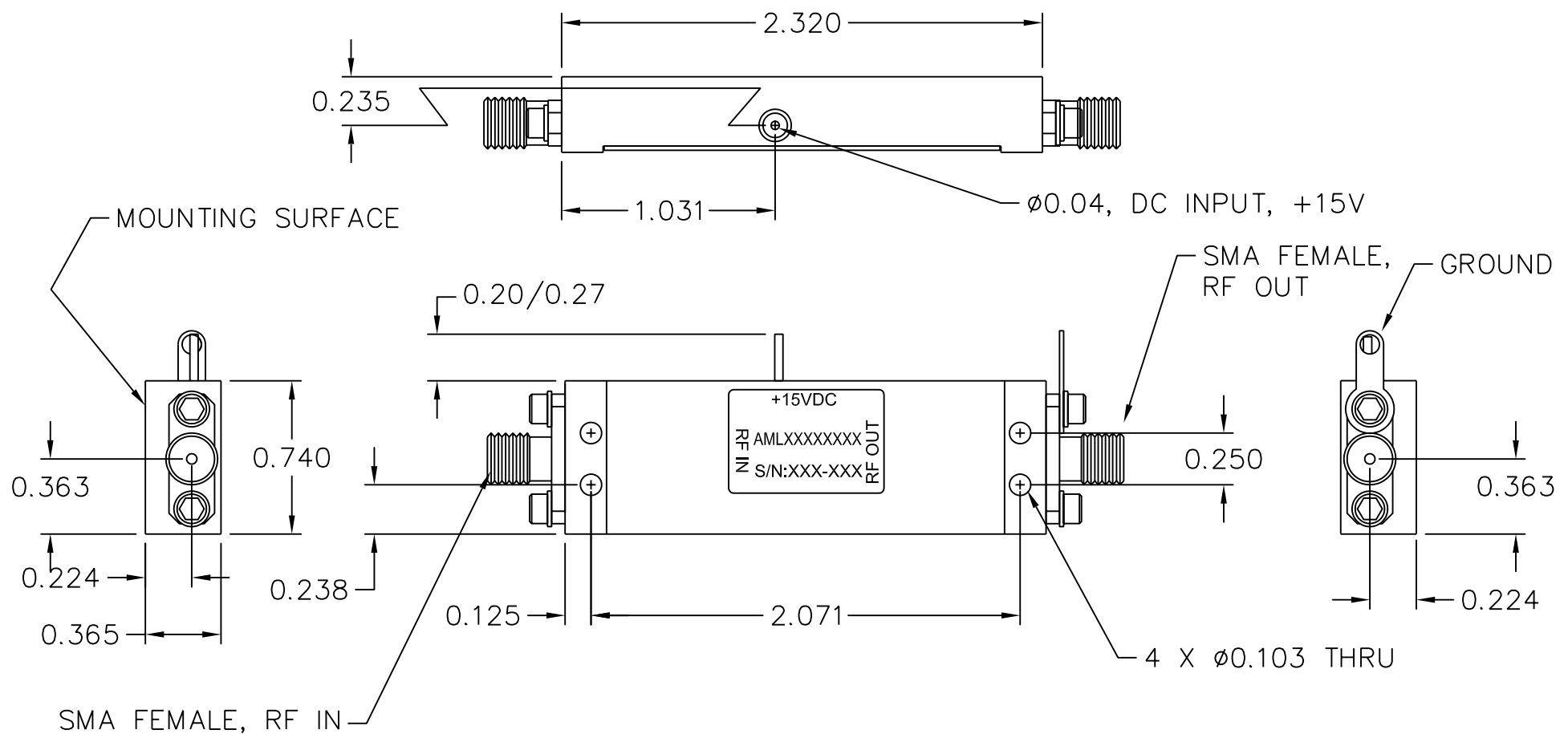


REVISIONS				
ECD#	REV	DESCRIPTION	DATE	APPROVED
	-	RELEASE	8/14/03	M. CALAYAN



NOTES:
 1. MARK LABEL (003-0231) AS SHOWN. MARK SERIAL NUMBER, DATE CODE AND MODEL NUMBER AS PER TRAVELER.

UNLESS OTHERWISE SPECIFIED DIMENSIONS ARE IN INCHES TOLERANCES ARE: DECIMALS ANGLES .XX \pm 0.01 \pm 5° .XXX \pm .005	 THIRD ANGLE PROJECTION	DRAWN BY JH	CHECK BY SH	TITLE: OUTLINE, MODIFIED K7	 CAMARILLO, CALIFORNIA, USA
		DESIGNED BY TM	APPROVED		
MATERIAL	ENGR	SCALE: 2X		DATE: 5/24/01	BOM NUMBER
ALUM ALLOY 6061	ENGR	GENERAL FABRICATION NOTES: (UNLESS OTHERWISE NOTED)			SHEET NUMBER
FINISH	MFG ENGR	1. REMOVE ALL BURRS AND BREAK SHARP EDGES. 2. DIMENSIONS APPLY AFTER FINISH. 3. ALL BENDS TO BE 90°.			1 OF 1
ELECTROLESS Ni MIL-C-26074C 0.0003/0.0005 THICK	QA	4. 63° MAX. MACHINE FINISH.			SIZE B
DO NOT SCALE DRAWING	RELEASED BY:	GENERAL ASSEMBLY NOTES: (UNLESS OTHERWISE NOTED)			DRAWING NUMBER
		1. ASSEMBLE AS PER WORKMANSHIP REQUIREMENTS OF IPC-A-610, CLASS 2			002-0320
					REV -