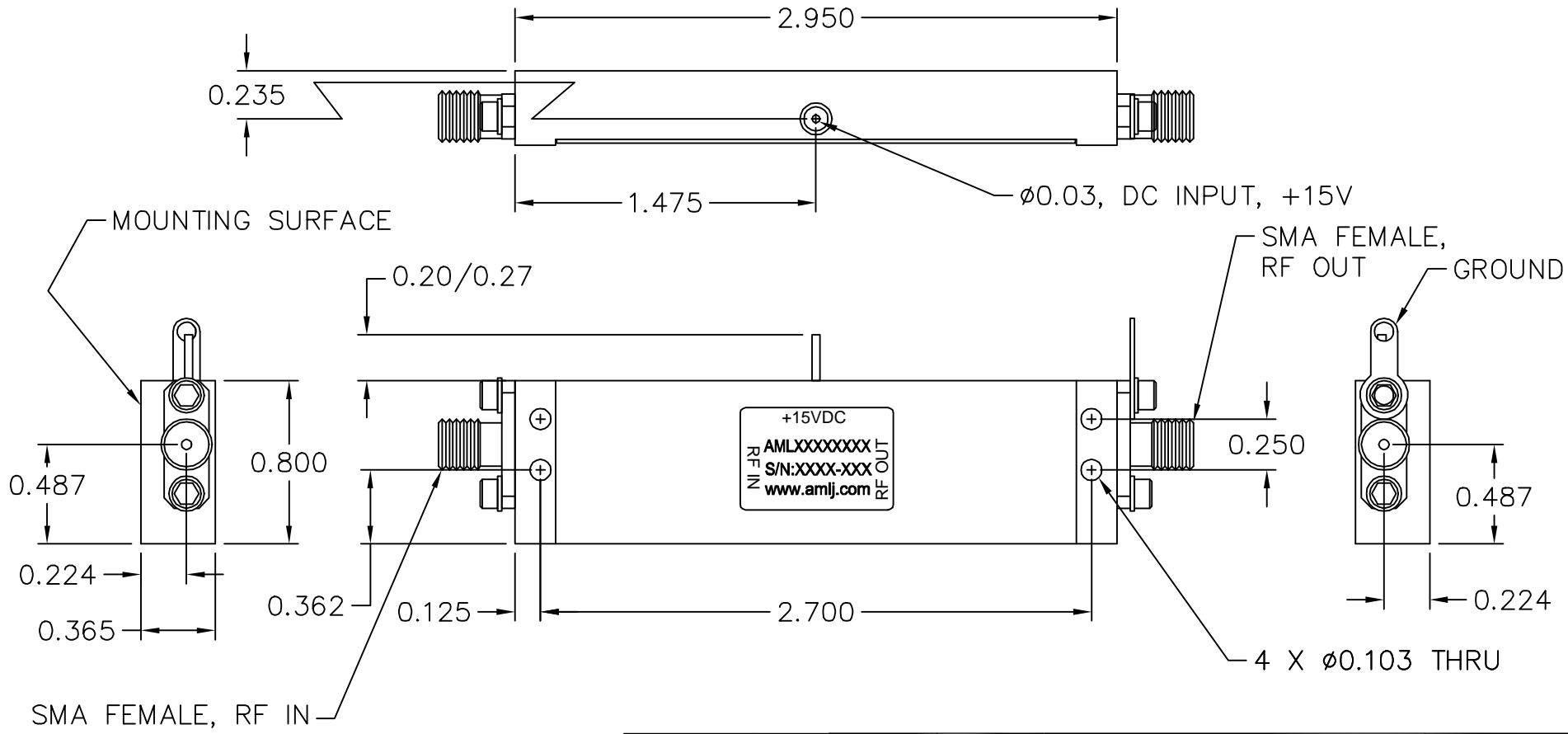



REVISIONS				
ECC#	REV	DESCRIPTION	DATE	APPROVED
	-	PRODUCTION RELEASE	8/30/01	SL



NOTES:

1. MARK LABEL (003-0231) AS SHOWN. MARK SERIAL NUMBER, DATE CODE AND MODEL NUMBER AS PER TRAVELER.

<small>UNLESS OTHERWISE SPECIFIED DIMENSIONS ARE IN INCHES TOLERANCES ARE:</small> DECIMALS .XX ± 0.01 ANGLES ± 5° .XXX ± .005 THIRD ANGLE PROJECTION	DRAWN BY SH DESIGNED BY SH APPROVED _____ DATE _____	CHECK BY SH DATE _____	TITLE: OUTLINE CATALOG (C7)	 CAMARILLO, CALIFORNIA, USA
	MATERIAL ALUM ALLOY 6061 FINISH ELECTROLESS NI MIL-C-26074C 0.0003/0.0005 THICK DO NOT SCALE DRAWING	ENGR _____ MFG ENGR _____ GA _____ RELEASED BY: _____	SCALE: 2X DATE: 8/30/01 GENERAL FABRICATION NOTES: (UNLESS OTHERWISE NOTED) 1. REMOVE ALL BURRS AND BREAK SHARP EDGES. 2. DIMENSIONS APPLY AFTER FINISH. 3. ALL BENDS TO BE 90°. 4. 53 MAX. MACHINE FINISH.	BOM NUMBER _____ SHEET NUMBER 1 OF 1 DRAWING NUMBER 002-0098 SIZE B REV -