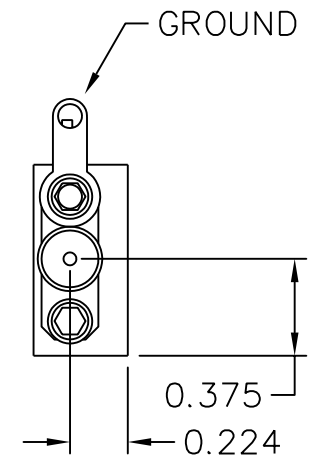
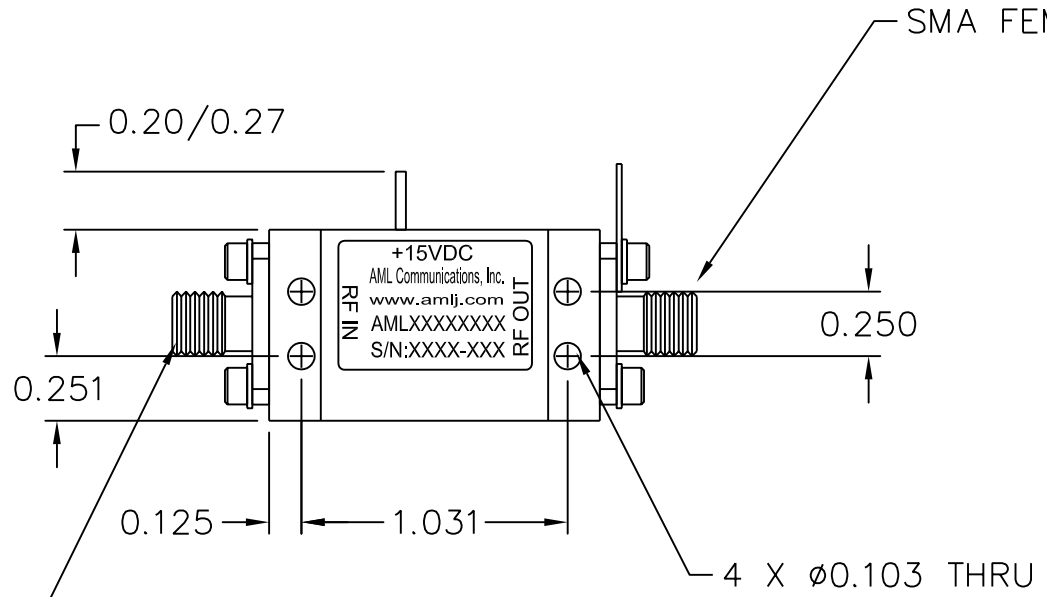
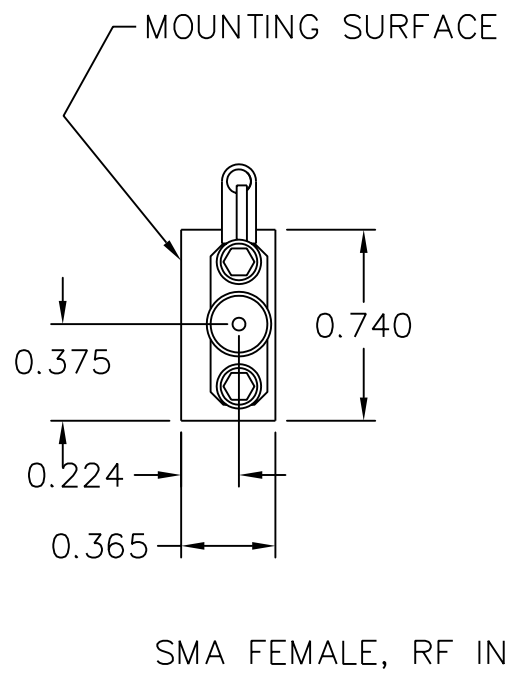
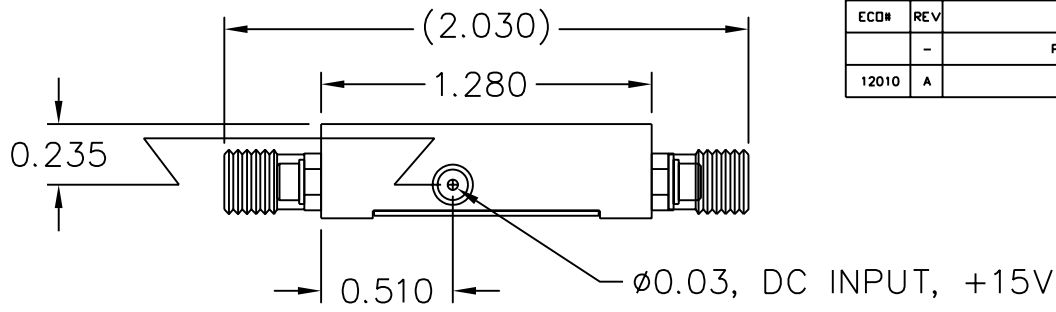


REVISIONS				
ECD#	REV	DESCRIPTION	DATE	APPROVED
	-	PRODUCTION RELEASE	9/05/02	M. CALAYAN
12010	A	SEE ECO	9/25/06	M. CALAYAN



<small>UNLESS OTHERWISE SPECIFIED DIMENSIONS ARE IN INCHES TOLERANCES ARE:</small> DECIMALS ANGLES .XX ± 0.01 ± 5° .XXX ± 0.005	 <small>THIRD ANGLE PROJECTION</small>	DRAWN BY TNA CHECK BY SH	TITLE: OUTLINE CATALOG (K3), MODIFIED	 <small>CAMARILLO, CALIFORNIA, USA</small>				
		DESIGNED BY SH			DATE:			
MATERIAL ALUM ALLOY 6061 AND 4047	ENGR	APPROVED	SCALE: 2X	DATE: 9/04/02				
FINISH ELECTROLESS Ni MIL-C-26074C 0.0003/0.0005 THICK,	MFG ENGR DA	RELEASED BY:	<small>GENERAL FABRICATION NOTES: (UNLESS OTHERWISE NOTED)</small> 1. REMOVE ALL BURRS AND BREAK SHARP EDGES. 2. DIMENSIONS APPLY AFTER FINISH. 3. ALL BENDS TO BE 90°. 4. 63 MAX. MACHINE FINISH.					
DO NOT SCALE DRAWING			<small>GENERAL ASSEMBLY NOTES: (UNLESS OTHERWISE NOTED)</small> 1. ASSEMBLE AS PER WORKMANSHIP REQUIREMENTS OF IPC-A-610, CLASS 2	BOM NUMBER <table border="1"> <tr> <td>SHEET NUMBER 1 OF 1</td> <td>SIZE B</td> </tr> <tr> <td>DRAWING NUMBER 002-0215</td> <td>REV A</td> </tr> </table>	SHEET NUMBER 1 OF 1	SIZE B	DRAWING NUMBER 002-0215	REV A
SHEET NUMBER 1 OF 1	SIZE B							
DRAWING NUMBER 002-0215	REV A							

NOTES:
 1. MARK LABEL (003-0231) AS SHOWN. MARK SERIAL NUMBER, DATE CODE AND MODEL NUMBER AS PER TRAVELER.